

v150NX Ka

1.5m Wideband Ka-band VSAT Terminal



| 2.5GHz Wideband Ka-band Ready

Ka-band becomes the next choice for new satellite capacity as the demand for bandwidth increases. The v150NX Ka has a full range-optimized reflector and radome supporting high speed Ka-band services covering the full range of Ka-band commercial satellites.

| Suitable solution for High Throughput

High availability and excellent transmission speed provided by remarkably efficient RF design. The v150NX Ka offers connectivity flexibility to better suit high demand applications. For high throughput, the v150NX Ka is designed to integrate a wideband Ka-band BUC up to 100W.

| GEO/MEO/LEO Tracking Capability

The v150NX Ka is ready for the future, powered with the world's most accurate satellite tracking performance with proven tracking algorithms for both GSO and NGSO orbits.

| Applicable as a Gateway Terminal for NGSO Constellations

The v150NX Ka antennas have tremendous pointing accuracy, with no backlash. Making them an ideal solution for small or mobile gateway antennas for future LEO constellations.

v150NX Ka

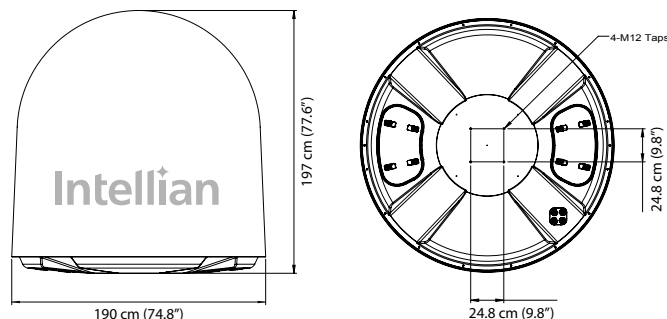
1.5m Wideband Ka-band VSAT Terminal

Technical Specifications

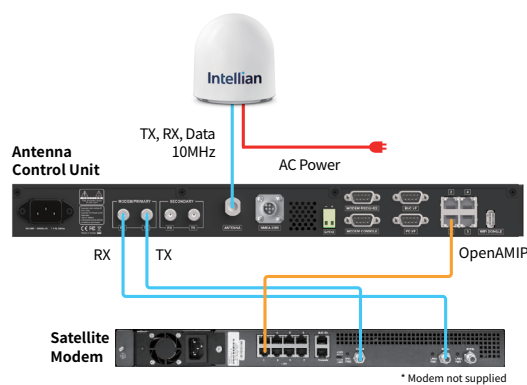
Above Deck Unit	
Radome Height	197.0 cm / 77.6"
Radome Height with A/C Frame	262.2 cm / 103.2"
Radome Diameter	190.0 cm / 74.8"
Reflector Diameter	150.0 cm / 59.0"
Weight	260 kg
Weight with A/C Frame	510 kg
Platform	3-axis / Azimuth, Elevation, Cross-level
Azimuth Range	Unlimited
Elevation Range	-15° to +110°
Cross-level Range	Up to ± 35°
Stabilization Accuracy	0.2° peak mis-pointing @ max ship motion condition
Motor Brake System	Dynamic Motor Braking
Tx Frequency	29.0 ~ 30.0 GHz Ka-band
Tx Gain	50.3 dBi @ 29.5 GHz
Rx Frequency	17.7 ~ 20.2 GHz Ka-band
Rx Gain	47.0 dBi @ 19.2GHz
G/T	23.5 dB/K @ 19.2GHz (Clear Sky, 30° Elevation)
BUC Power	25W, 50W, 100W
LNB	Intellian Universal Ka-band LNB
Polarization	Circular (RHCP & LHCP), Dual-Pol.
Antenna Cable	Single 50 ohm coax cable for Rx, Tx, FSK and Power from ACU to ADU
Power Requirement for BUC	100 ~ 240 VAC, 50~60Hz

Antenna Control Unit	
Dimension (WxDxH)	43.1 cm x 35.0 cm x 4.4 cm / 17" x 13.8" x 1.7"
Weight	5.2 kg / 11.5 lbs
Display	256 x 64 Graphic OLED
Gyrocompass Interface	NMEA2000 / NMEA0183
Mediator Interface	Yes (Embedded in ACU, Primary / Secondary control on AptusNX)
Modem Interface	Ethernet port / RS-232C, -422C / I/O Console
Modem Protocol	iDirect, Comtech, SatLink, Hughes, GILAT, Newtec
Remote Management	Yes
Wi-Fi Operation	Yes (w/ Wi-Fi Dongle)
Management Port	Yes
Intellian LAN Port	Yes
Power Requirement	100~240 V AC, 50~60 Hz, 4A

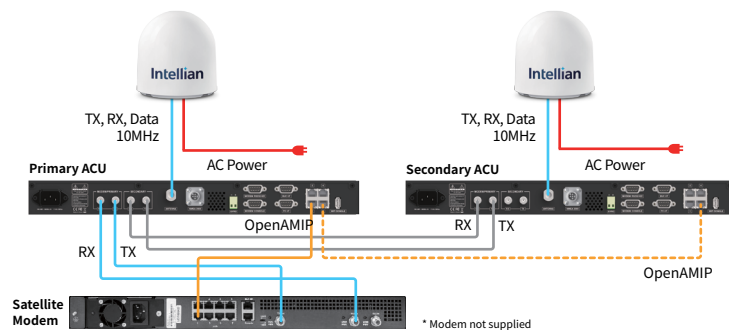
System Dimension



System Diagram



System Diagram (Dual Antenna)



Global HQ
Innovation Center
 Intellian Technologies, Inc
 T +82 31 379 1000
 F +82 31 377 6185

APAC
Seoul
 Intellian Technologies, Inc.
 T +82 2 511 2244
 F +82 2 511 2235

Americas
Irvine
 Intellian Technologies USA, Inc.
 T +1 949 727 4498
 F +1 949 271 4183
 Toll Free +1 888-201-9223

EMEA
Rotterdam
 Intellian B.V.
 T +31 1 0820 8655
 F +31 1 0820 8656